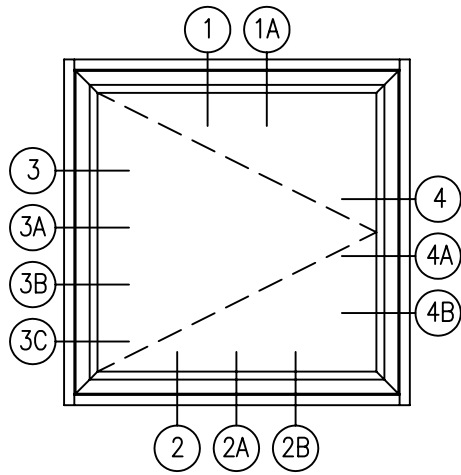
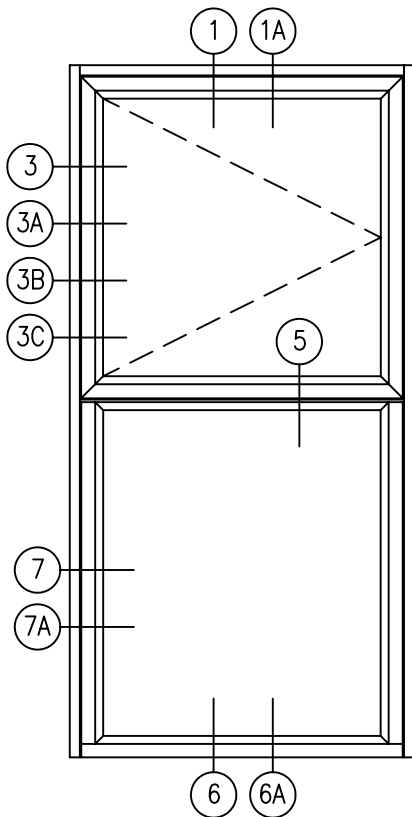


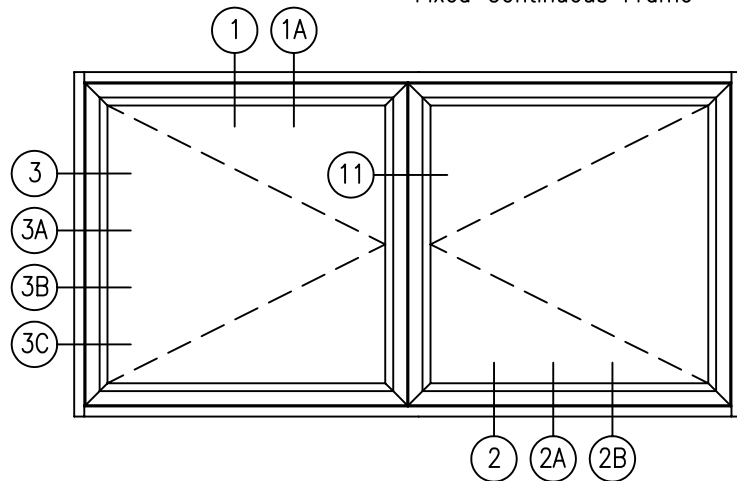
SCALE: NONE



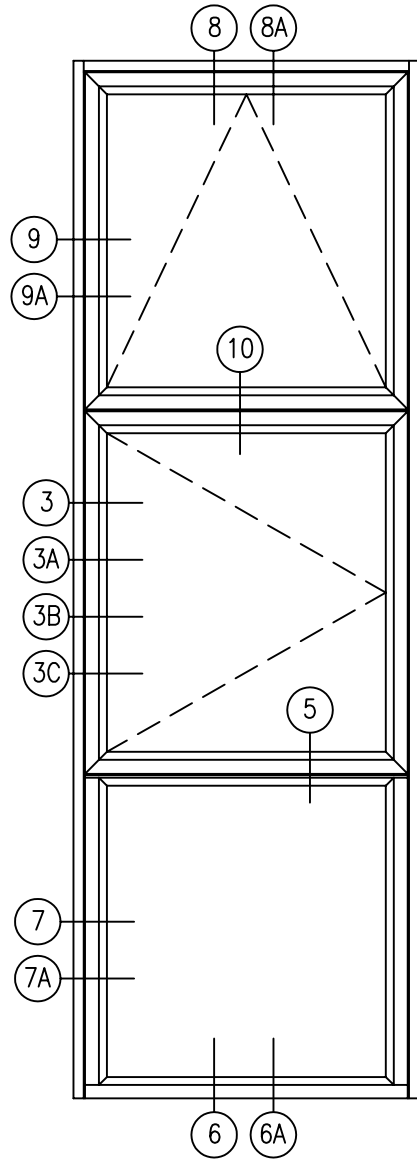
Casement Out  
Continuous Frame



Casement Out/Fixed  
Continuous Frame

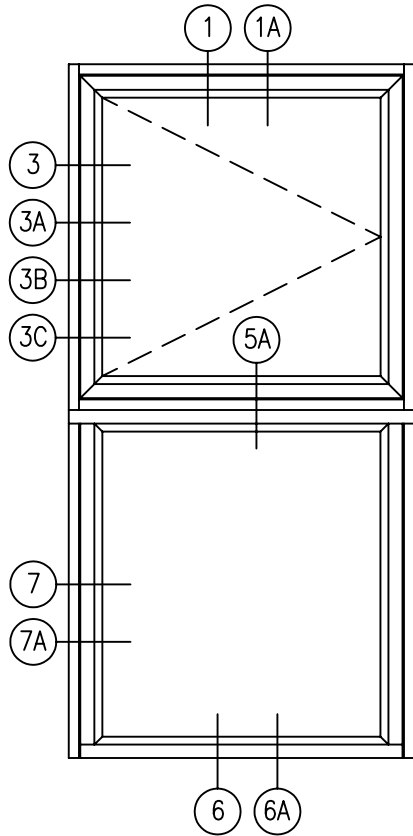


Casement Out/Casement Out  
Continuous Frame

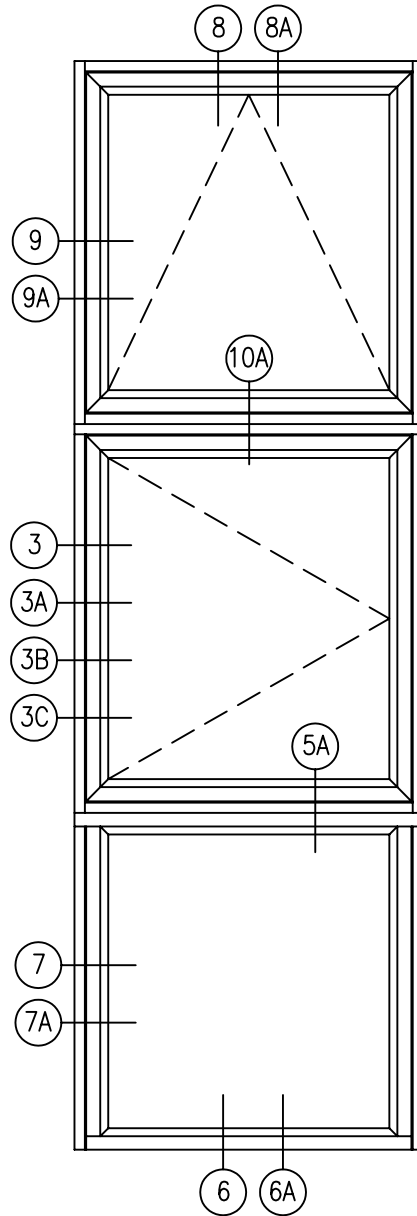


Projected Out/Casement Out/  
Fixed Continuous Frame

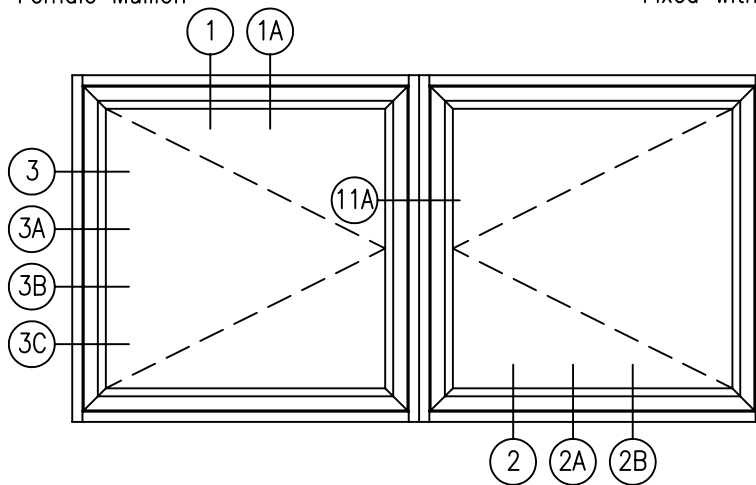
All Elevations are viewed outside looking in.



Casement Out/Fixed with Male-Female Mullion

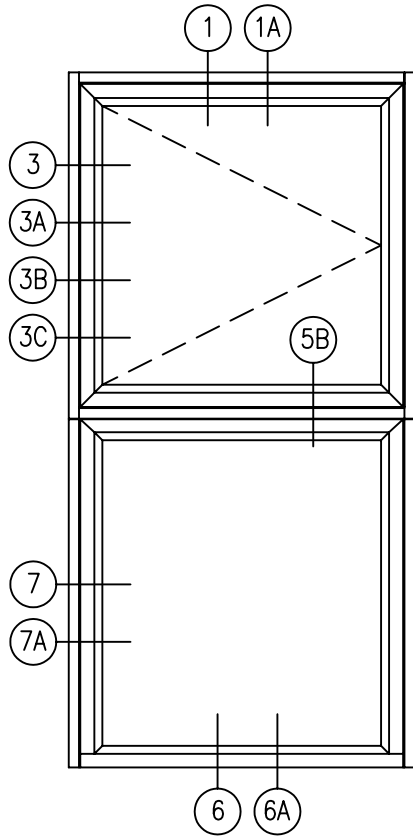


Projected Out/Casement Out/Fixed with Male-Female Mullion

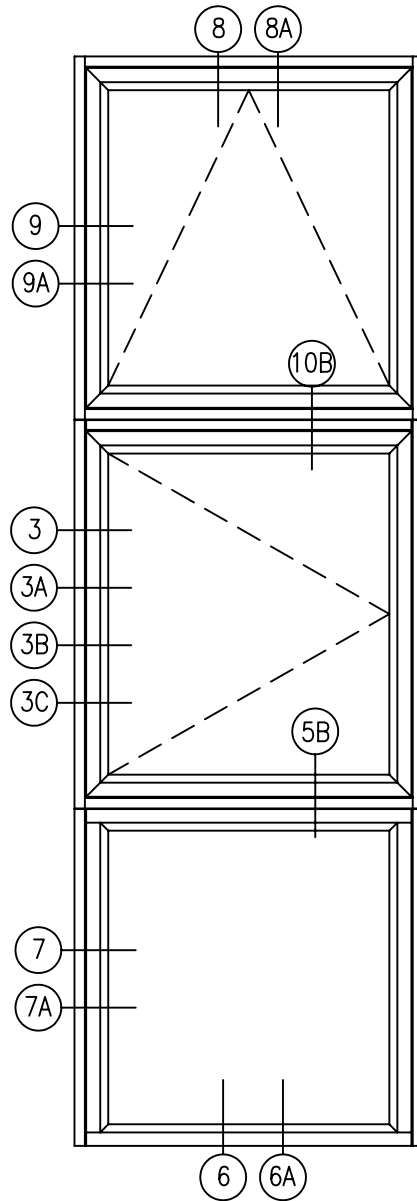


Casement Out/Casement Out with Male-Female Mullion

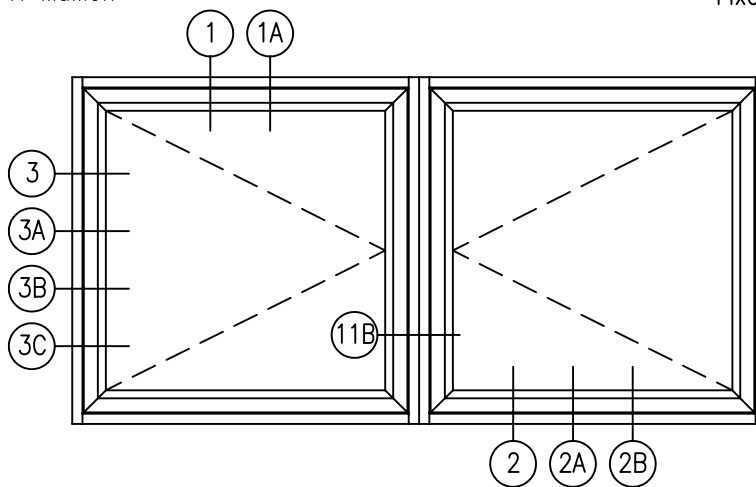
All Elevations are viewed outside looking in.



Casement Out/Fixed  
with H Mullion



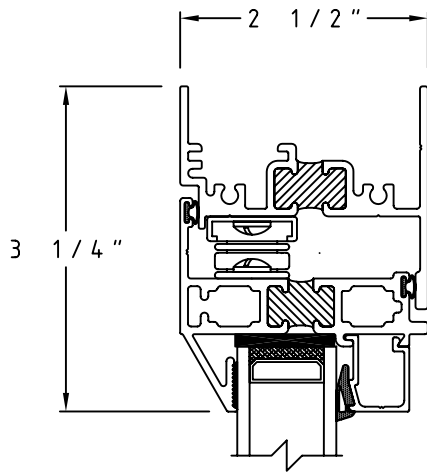
Projected Out/Casement Out/  
Fixed with H Mullion



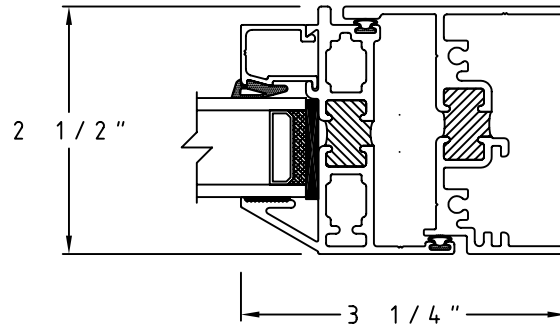
Casement Out/Casement Out  
with H Mullion

All Elevations are viewed outside looking in.

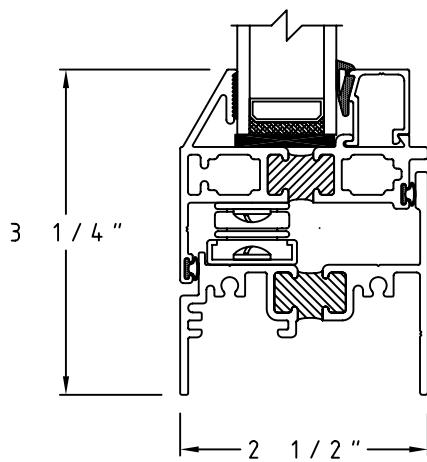
SCALE: HALF



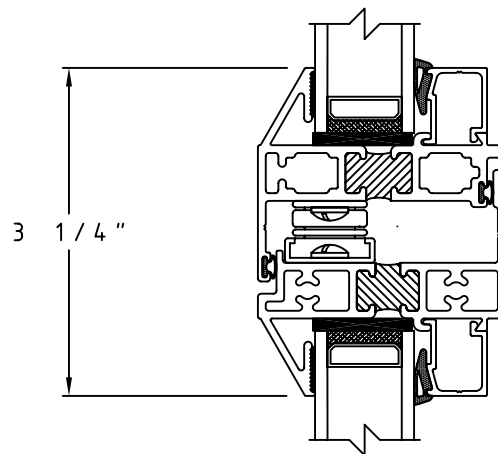
① Head Detail



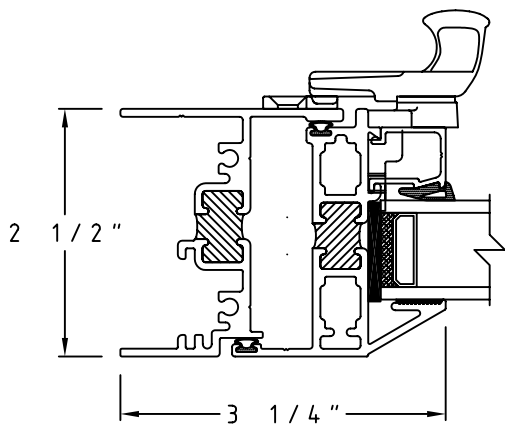
④ Casement Out Jamb Detail



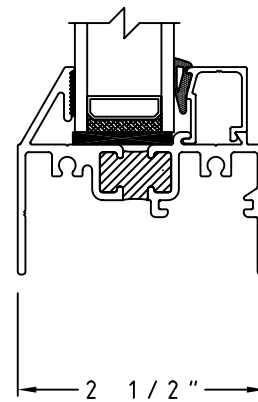
② Sill Detail



⑤ Casement Out/ Fixed Mullion Detail

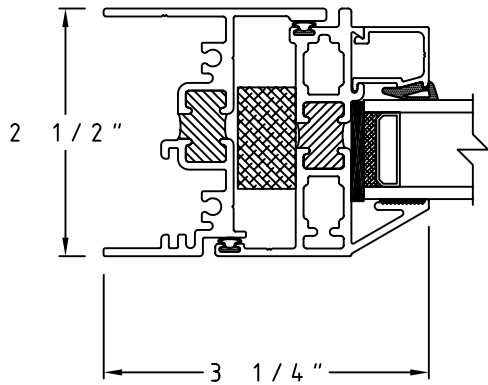


③ Jamb Detail

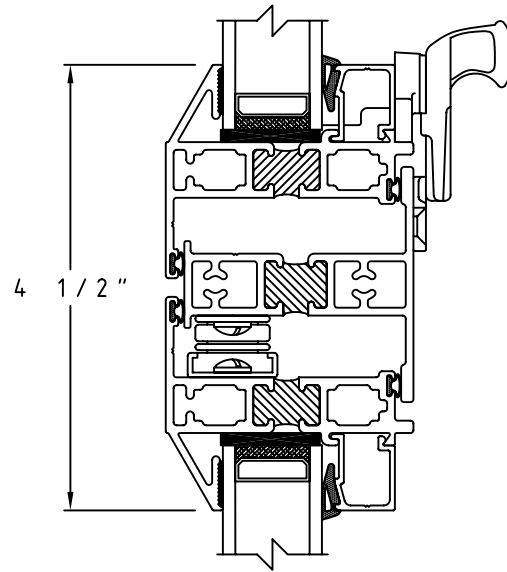


⑥ Fixed Sill Detail

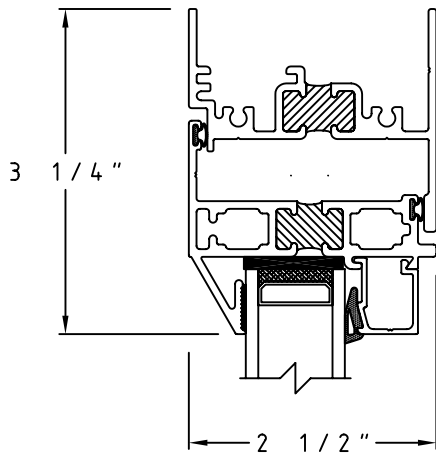
SCALE: HALF



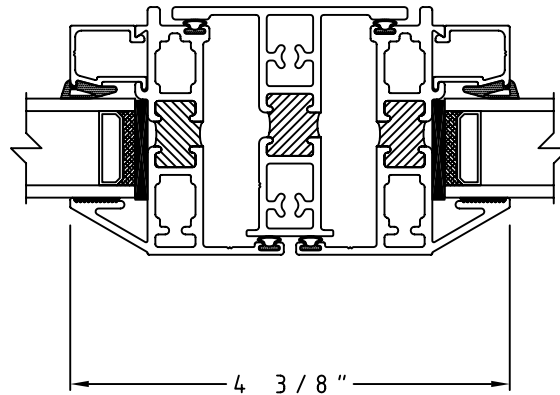
⑦ Fixed Jamb Detail



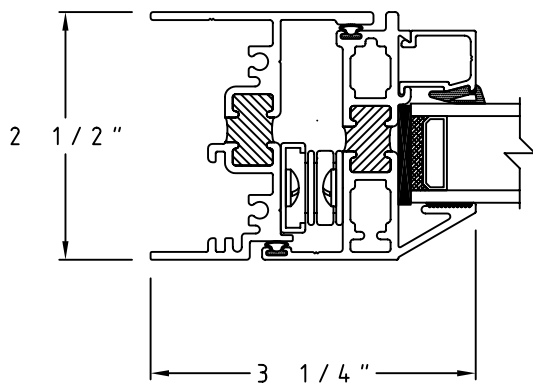
⑩ Projected Out/Casement Out Mullion Detail



⑧ Projected Out Head Detail

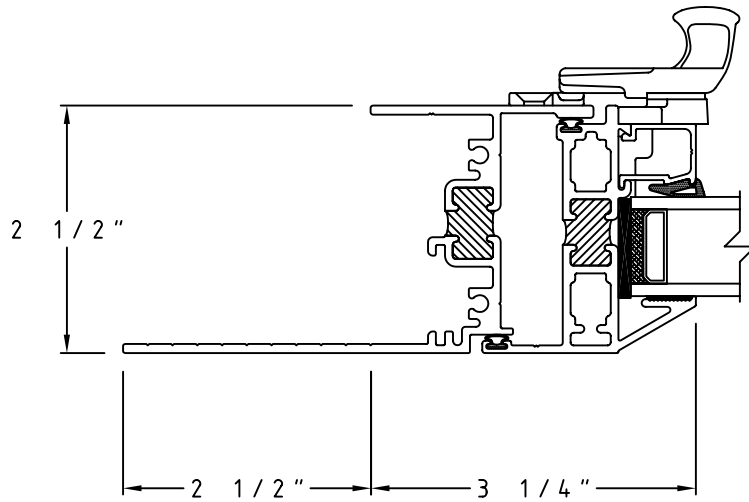
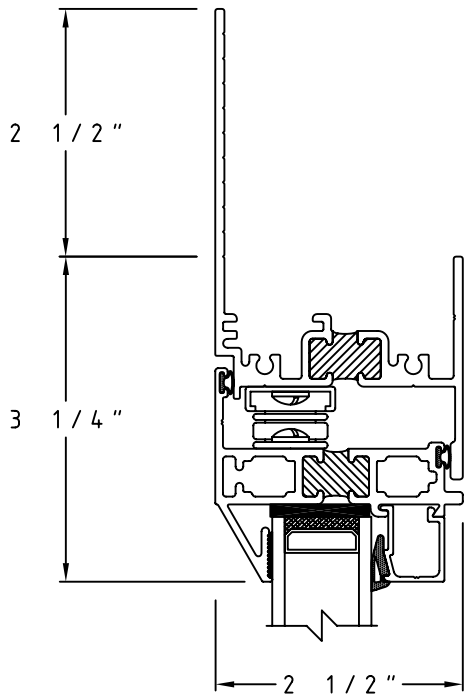


⑪ Casement Out/Casement Out Mullion Detail



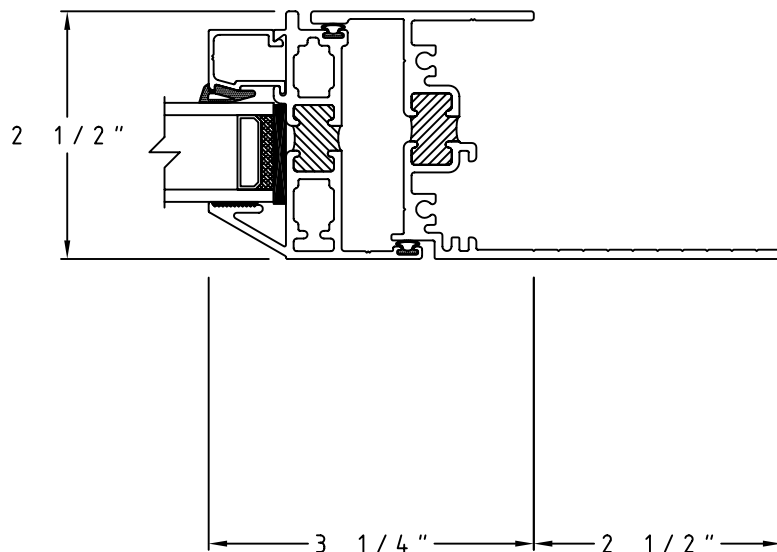
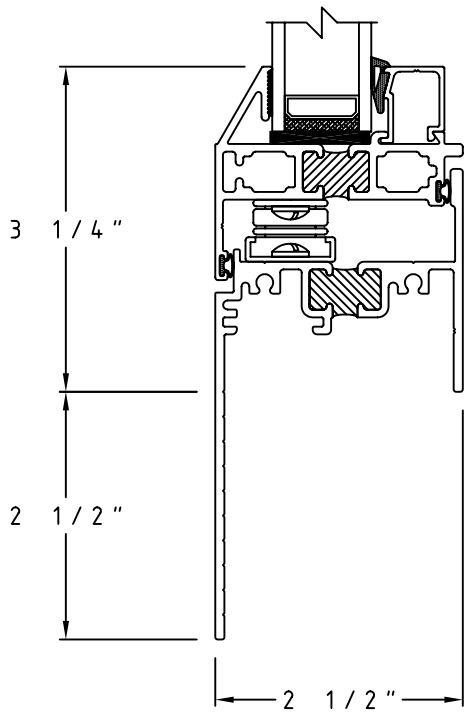
⑨ Projected Out Jamb Detail

SCALE: HALF



①A 2 1/2" Flange Casement Out Head Detail

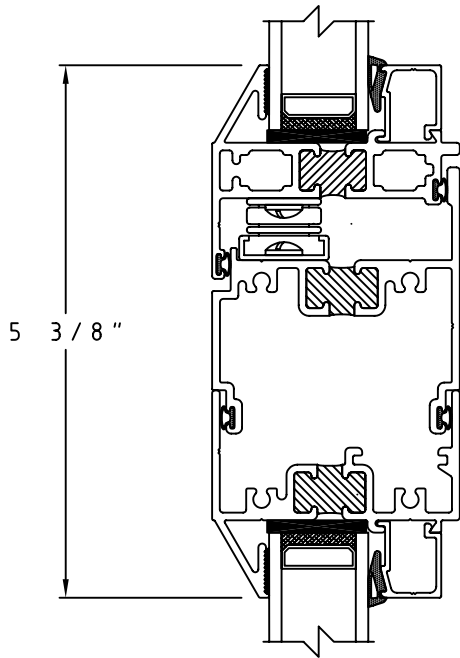
③A 2 1/2" Flange Casement Out Jamb Detail



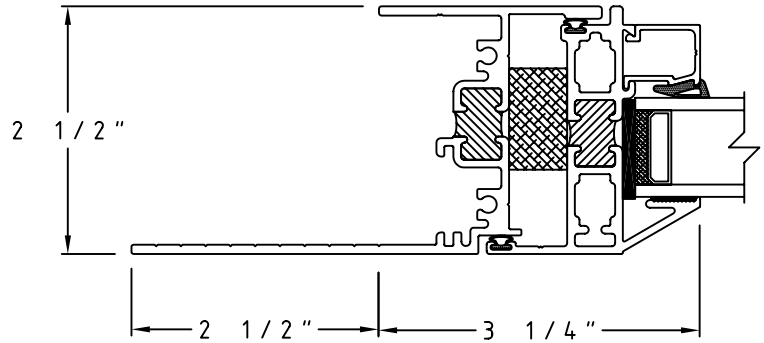
②A 2 1/2" Flange Casement Out Sill Detail

④A 2 1/2" Flange Casement Out/Fix Jamb Detail

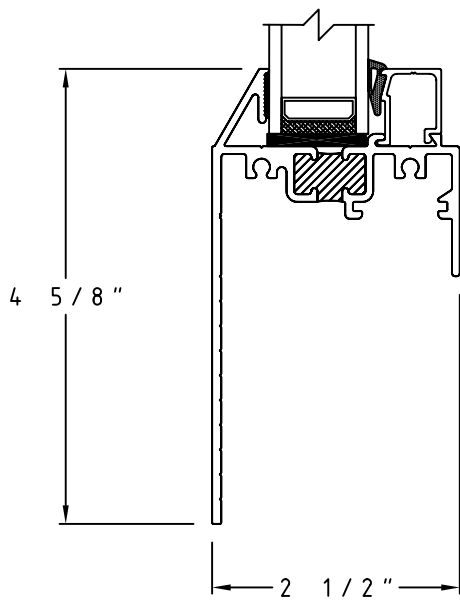
SCALE: HALF



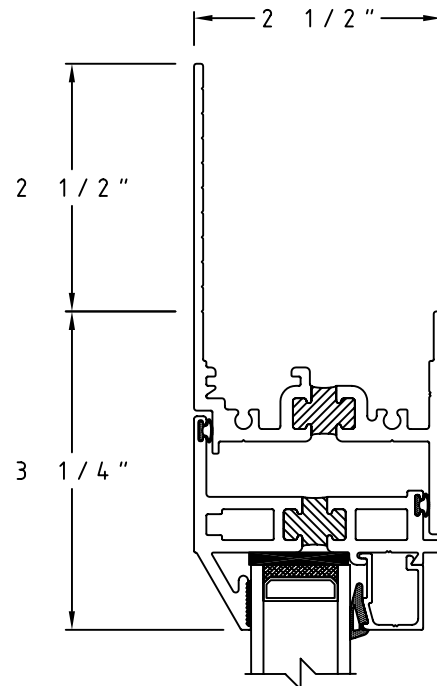
5A Casement Out/Fixed with Male-Female Mullion



7A 2 1/2" Flange Fixed Jamb Detail

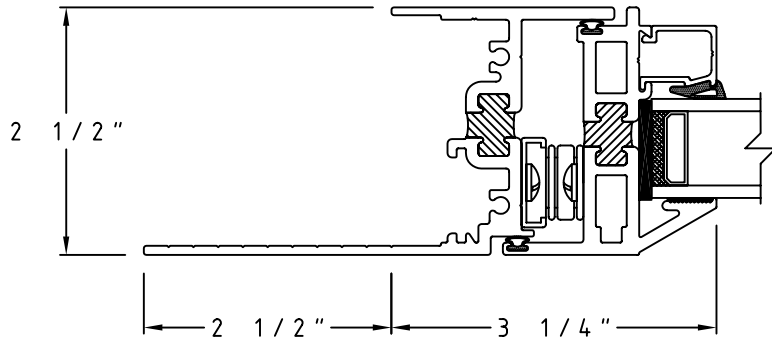


6A 2 1/2" Flange Fixed Sill Detail

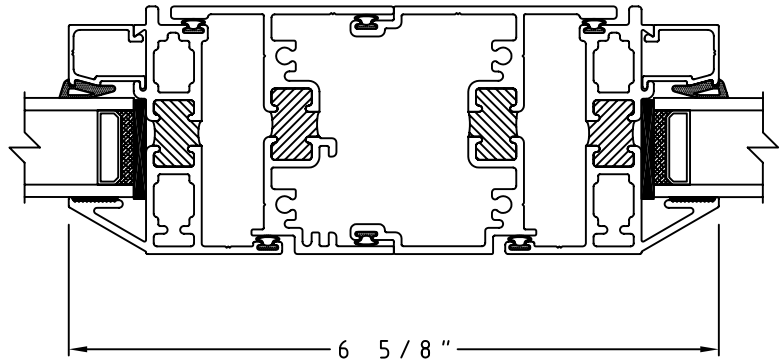


8A 2 1/2" Flange Projected Out Head Detail

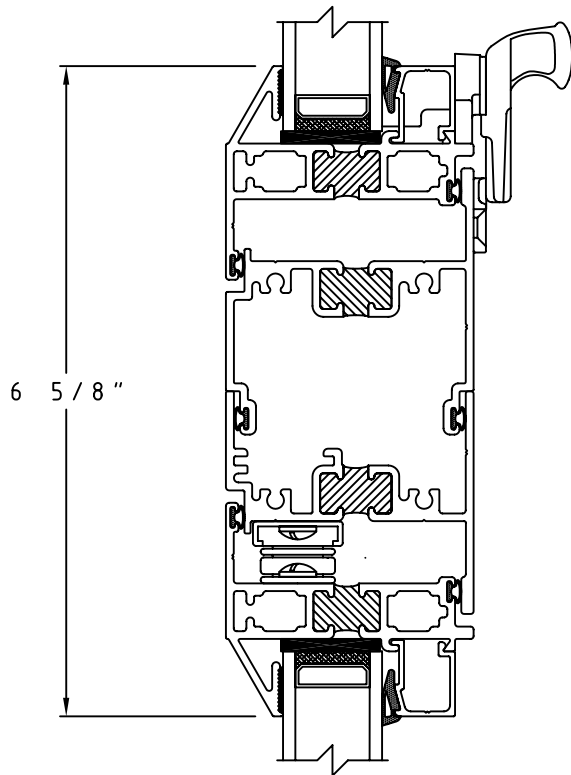
SCALE: HALF



9A) 2 1/2" Flange Projected Out Jamb Detail



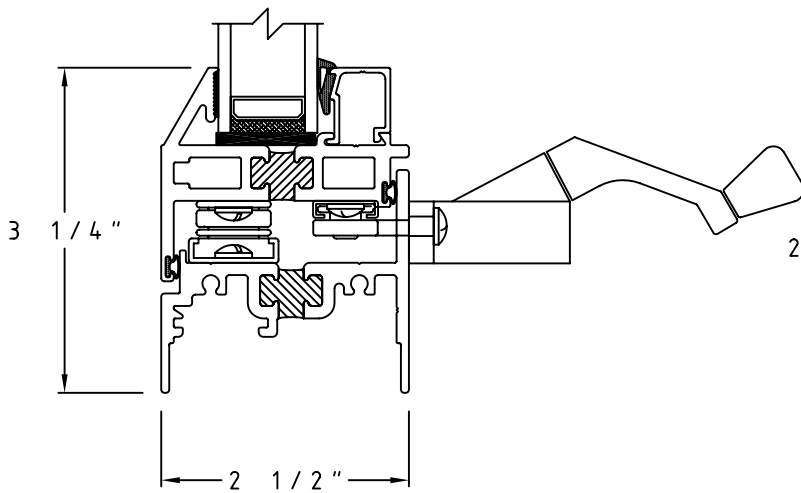
11A) Casement Out/Casement Out with Male-Female Mullion



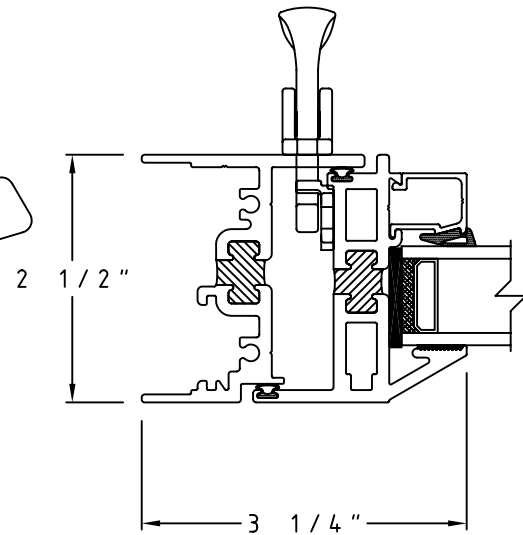
10A) Projected Out/Casement Out with Male-Female Mullion



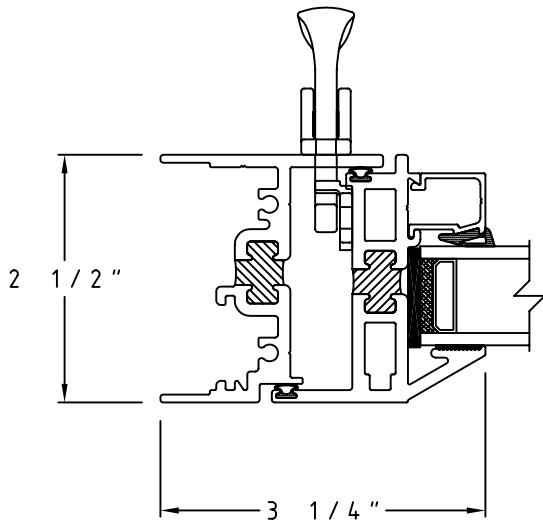
SCALE: HALF



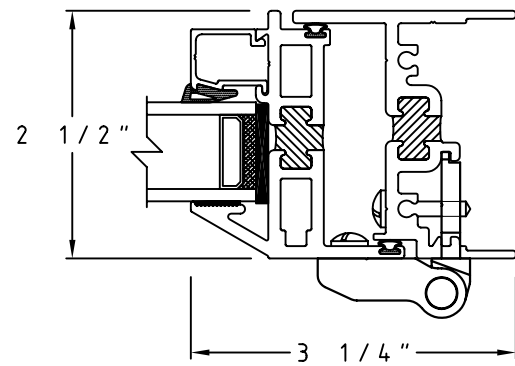
2B Sill with Roto Crank Detail



3C Jamb with Single Point lock Detail

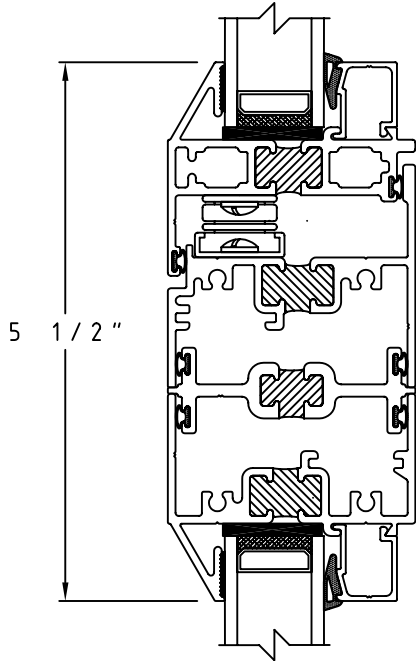


3B Jamb with Multi-Point Lock Detail

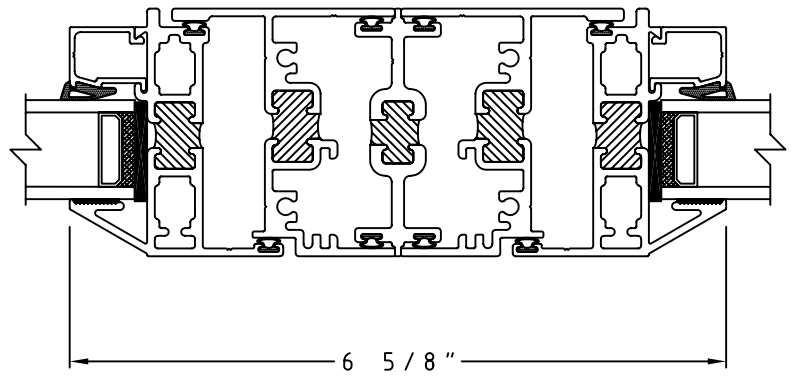


4B Jamb Butt Hinges Detail

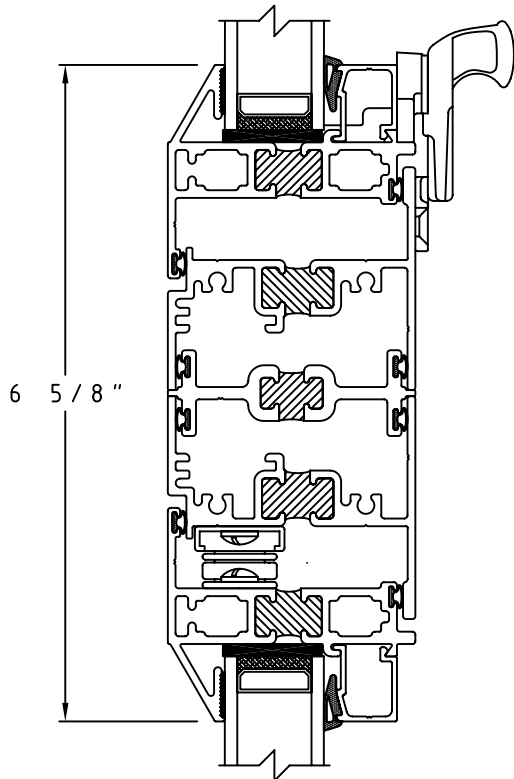
SCALE: HALF



5B Casement Out/Fixed with H Mullion



11B Casement Out/Casement Out with H Mullion



10B Projected Out/Casement Out with H Mullion